

## GENERAL INFORMATION, INSTALLATION AND OPERATION SPECIFICATIONS

### 1.0 GENERAL REQUIREMENTS

- 1.1 Provide and install BoilerMag in accordance with manual specifications
- 1.2 All work is to be performed in neat workmanship like manner compliant with all local code authorities
- 1.3 BoilerMag is to be used in smaller premises where build-up of ferrous oxide and scale in central heating systems is prevalent

### 2.0 PRODUCT DATA

#### PERFORMANCE

<b>Magnetic performance</b>	4,000 Gauss
	Patented Micromag style core
<b>Volume</b>	0.13 gal (500 ml)
<b>Pressure</b>	43 psi (3 Bar) operating pressure
<b>Flow rate</b>	14 gpm (3 m <sup>3</sup> /h)
<b>Collection Capacity</b>	0.9 lbs (400 g)
<b>Temperature</b>	212°F (100°C)

#### MATERIALS/CONSTRUCTION

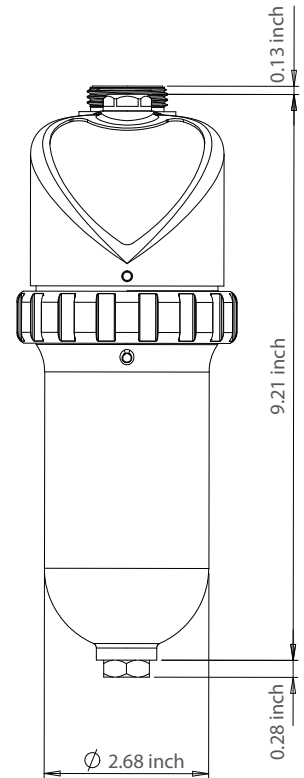
<b>Construction material</b>	Polyamide 66 (Nylon 66) product filled with 25% glass fiber
<b>Magnet material</b>	Rare Earth Neodymium Iron Boron
<b>Mesh filter</b>	0.5mm, quick release mesh (for cleaning)
<b>Valves</b>	1" NPT (1.25" NPT adaptors included in kit)

#### INCLUDES

Additional Automatic Air Vent that has been packaged along with unit separately.  
The auto-vent will automatically release the trapped air maintaining heating efficiency

#### WARRANTY

Industry leading 3 years

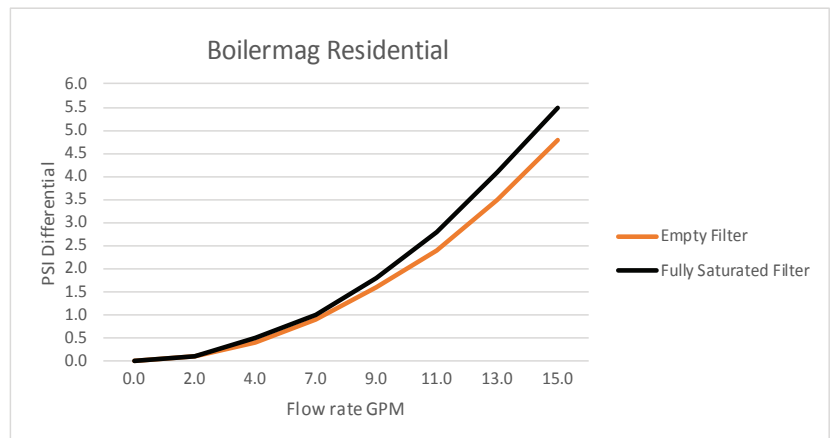


### 3.0 INSTALLATION

- 3.1 BoilerMag is typically installed after the radiator, prior to the boiler return
- 3.2 BoilerMag can be installed on any angle of pipework
- 3.3 Everything you need to fit and service BoilerMag is contained in a simple retail friendly off-the-shelf package

### 4.0 PRESSURE DROP DATA

BOILERMAG RESIDENTIAL		
FLOW RATE	EMPTY FILTER Pressure Differential	FULLY SATURATED FILTER Pressure Differential
gpm	psi	psi
0	0	0
2	0.1	0.1
4	0.4	0.5
7	0.9	1.0
9	1.6	1.8
11	2.4	2.8
13	3.5	4.1
15	4.8	5.5



\*\*\*GAUSS: The gauss is the unit of measurement of magnetic flux density

v2