

## GENERAL INFORMATION, INSTALLATION AND OPERATION SPECIFICATIONS

### 1.0 GENERAL REQUIREMENTS

- 1.1 Provide and install BoilerMagXL in accordance with manual specifications
- 1.2 All work is to be performed in neat workmanship like manner compliant with all local code authorities
- 1.3 BoilerMagXL is to be used in medium-sized systems working at up to 174psi (145 psi if using automatic air vent)

### 2.0 PRODUCT DATA

#### PERFORMANCE

<b>Magnetic performance</b>	4,000 Gauss Patented Micromag style core
<b>Volume</b>	0.37 gal (1.4 litres)
<b>Pressure</b>	174 psi (12 Bar) operating pressure (145 psi (10 Bar) if using automatic air vent)
<b>Flow rate</b>	28 gpm (6 m <sup>3</sup> /h)
<b>Collection Capacity</b>	2.2 lbs (1 kg)
<b>Temperature</b>	41-302°F (5°C to 150°C) (212°F (100°C) if using automatic air vent)

#### MATERIALS/CONSTRUCTION

<b>Magnet material</b>	Rare Earth Neodymium Iron Boron
<b>Magnet grade</b>	N42SH high intensity
<b>Mesh filter</b>	1mm, quick release mesh (for cleaning)
<b>Housing</b>	304 stainless steel
<b>Cartridge</b>	304 stainless steel
<b>Fasteners</b>	Lid 4x M8 domed nuts Drain plug 1/2" NPT
<b>Surface Finish</b>	Powder coated
<b>Ports</b>	1 1/2" NPT
<b>O Ring Seal</b>	Viton BS244

#### INCLUDES

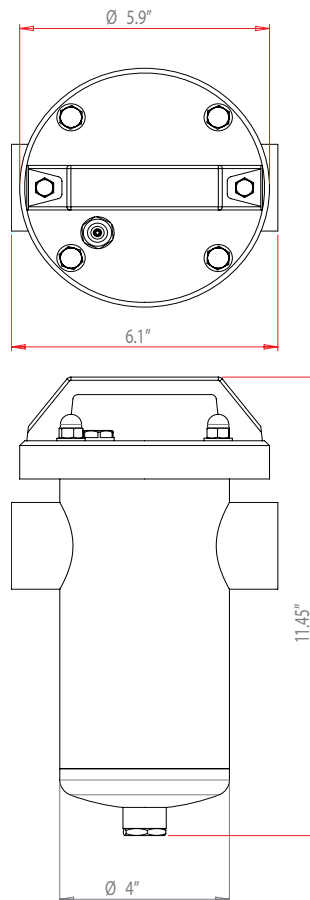
Additional Automatic Air Vent that has been packaged along with unit separately. The auto-vent will automatically release the trapped air maintaining heating efficiency

#### OPTIONS

1 1/2" BSP

#### WARRANTY

Industry leading 10 years

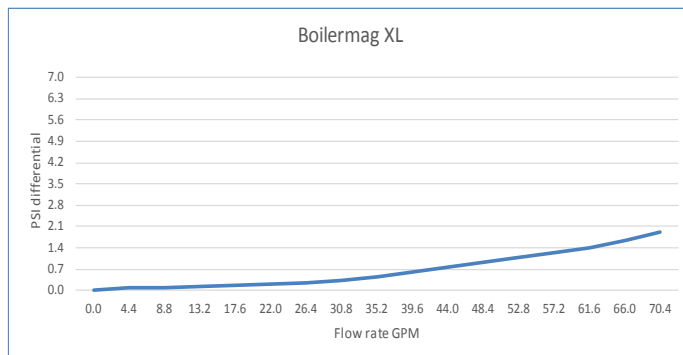


### 3.0 INSTALLATION

- 3.1 BoilerMagXL is typically installed on the return circuit as close to the boiler as possible
- 3.2 BoilerMagXL can be installed using flexible hoses or hard piped
- 3.3 No external power sources required for this product
- 3.4 All supply lines are to be isolated prior to any cleaning or maintenance actions

### 4.0 PRESSURE DROP DATA

BMXL		BMXL	
Flow (gpm)	Pressure Differential (psi)	Flow (gpm)	Pressure Differential (psi)
0	0	39.6	0.60
4.4	0.08	44.0	0.78
8.8	0.11	48.4	0.92
13.2	0.13	52.8	1.10
17.6	0.16	57.2	1.26
22.0	0.20	61.6	1.42
26.4	0.26	66.0	1.64
30.8	0.33	70.4	1.90
35.2	0.44		



\*\*\*GAUSS: The gauss is the unit of measurement of magnetic flux density

v2