

GENERAL INFORMATION, INSTALLATION AND OPERATION SPECIFICATIONS

1.0 GENERAL REQUIREMENTS

- 1.1 Provide and install BoilerMagXL in accordance with manual specifications
- 1.2 All work is to be performed in neat workmanship like manner compliant with all local code authorities
- 1.3 BoilerMagXL is to be used in medium-sized systems working at up to 174psi (145 psi if using automatic air vent)

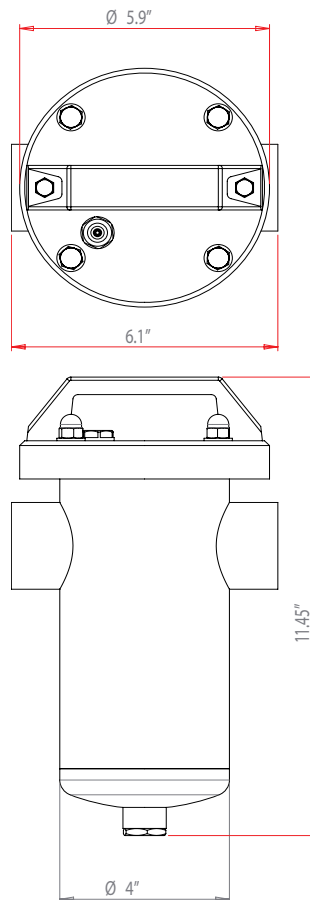
2.0 PRODUCT DATA

PERFORMANCE

Magnetic performance	4,000 Gauss Patented Micromag style core
Volume	0.37 gal (1.4 litres)
Pressure	174 psi (12 Bar) operating pressure (145 psi (10 Bar) if using automatic air vent)
Flow rate	28 gpm (6 m ³ /h)
Collection Capacity	2.2 lbs (1 kg)
Temperature	41-302°F (5°C to 150°C) (212°F (100°C) if using automatic air vent)

MATERIALS/CONSTRUCTION

Magnet material	Rare Earth Neodymium Iron Boron
Magnet grade	N42SH high intensity
Mesh filter	1mm, quick release mesh (for cleaning)
Housing	304 stainless steel
Cartridge	304 stainless steel
Fasteners	Lid 4x M8 domed nuts Drain plug ½" NPT
Surface Finish	Powder coated
Ports	1½" NPT
Sealing	EPDM
INCLUDES	Additional Automatic Air Vent that has been packaged along with unit separately. The auto-vent will automatically release the trapped air maintaining heating efficiency
OPTIONS	1½" BSP
WARRANTY	Industry leading 10 years

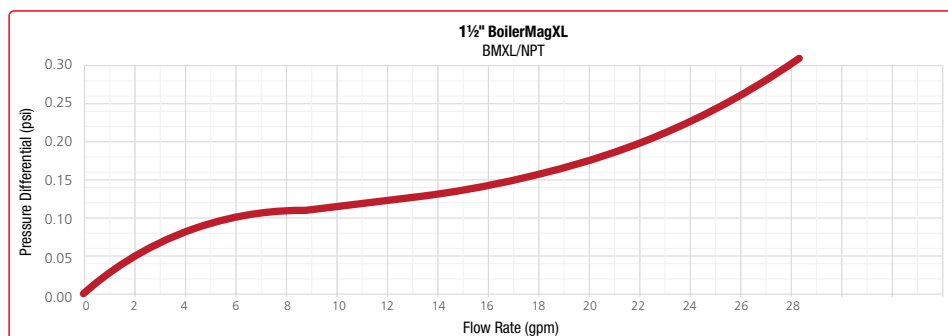


3.0 INSTALLATION

- 3.1 BoilerMagXL is typically installed on the return circuit as close to the boiler as possible
- 3.2 BoilerMagXL can be installed using flexible hoses or hard piped
- 3.3 No external power sources required for this product
- 3.4 All supply lines are to be isolated prior to any cleaning or maintenance actions

4.0 PRESSURE DROP DATA

BMXL	
Flow (gpm)	Pressure Differential (psi)
0	0
4.4	0.08
8.8	0.11
13.2	0.13
17.6	0.16
22.0	0.20
26.4	0.26
28.0	0.29



***GAUSS: The gauss is the unit of measurement of magnetic flux density

V5